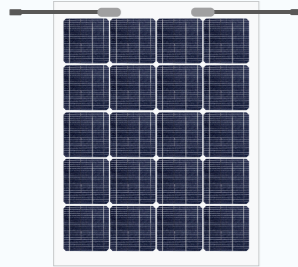


# BIPV Bifacial PV Components

## Monocrystalline Laminated Glass Module DDM100



### Longer lifetime, more generation

30-year power output, 50-year operating lifetime,  
20% additional power than normal solar panel.



### Redefining architectural aesthetics with innovation and technology

BIPV components, strong sense of science and technology, artistic and splendid, integrating multiple functions, energy conservation and power generation, creating more value.



### Perfect waterproof and safety

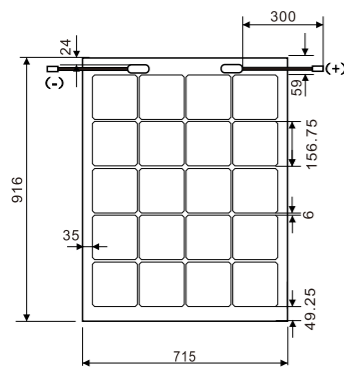
Through structural optimization, rainwater flows down to ensure water resistance; double glasses.



### Convenient maintenance

Glass surface, very easy to clean.

Module drawing(mm)



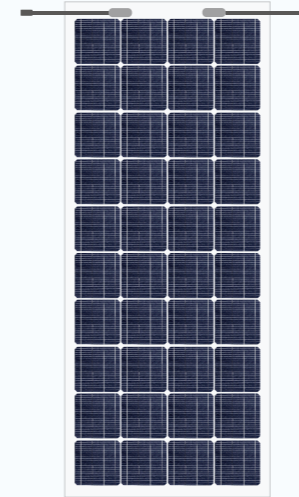
Performance Parameters

Model	DDM-100
Maximum power at STC (Pm/Wp)	100
Maximum power voltage (Vmp/V)	11.0
Maximum power current (Imp/A)	9.11
Open circuit voltage (Voc/V)	13.2
Short circuit current (Isc/A)	9.58
Transparent (%)	24
Working temperature (°C)	-40~85
Fault structure (mm)	3.2mm tempered glass+0.45EVA+ bifacial mono cells+0.45EVA+3.2mm tempered glass
Cable	4mm <sup>2</sup> /300mm
Dimension	916mm*715mm
Weight	11.5kg
Wind loads resistance	2.4KN/m <sup>2</sup>
Cells No.	20 ( 5*4 )

\*STC (AM1.5, 1000W/m<sup>2</sup>, cell temperature 25°C)

# BIPV Bifacial PV Components

## Monocrystalline Laminated Glass Module DDM200



### Longer lifetime, more generation

30-year power output, 50-year operating lifetime,  
20% additional power than normal solar panel.



### Redefining architectural aesthetics with innovation and technology

BIPV components, strong sense of science and technology, artistic and splendid, integrating multiple functions, energy conservation and power generation, creating more value.



### Perfect waterproof and safety

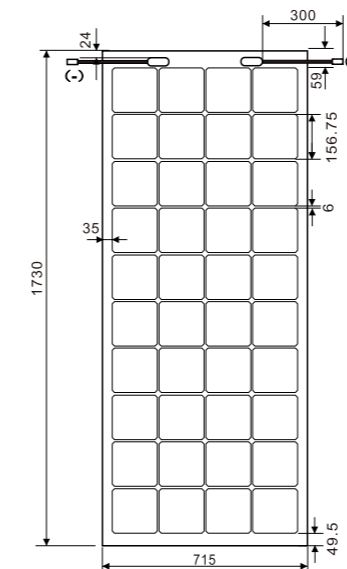
Through structural optimization, rainwater flows down to ensure water resistance; double glasses.



### Convenient maintenance

Glass surface, very easy to clean.

Module drawing(mm)



Performance Parameters

Model	DDM-200
Maximum power at STC (Pm/Wp)	200
Maximum power voltage (Vmp/V)	21.2
Maximum power current (Imp/A)	9.43
Open circuit voltage (Voc/V)	23.33
Short circuit current (Isc/A)	10.38
Transparent (%)	20
Working temperature (°C)	-40~85
Fault structure (mm)	3.2mm tempered glass+0.45EVA+ bifacial mono cells+0.45EVA+3.2mm tempered glass
Cable	4mm <sup>2</sup> /300mm
Dimension	1730mm*715mm
Weight	21.8kg
Wind loads resistance	2.4KN/m <sup>2</sup>
Cells No.	40 ( 10*4 )

\*STC (AM1.5, 1000W/m<sup>2</sup>, cell temperature 25°C)